

# IB KNIFE GATE VALVE

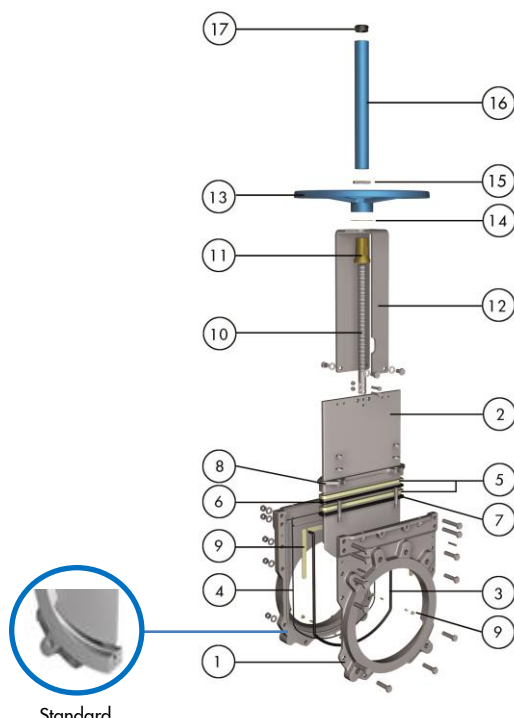
The IB model knife gate is a bi-directional valve designed for general industrial service applications. The design of the body and seat assures non-clogging shut off on suspended solids in industries such as Pulp and Paper, Petrochemical, Bulk handling, Wastewater Treatment Plants, etc.

## Product description:

- Bi-directional wafer type high pressure knife gate valve.
- Size range of DN 80-600 (larger sizes on request). 10 bar pressure rating.
- Rising stem as standard. Non-rising stem also available
- Standard flange connection: EN-1092 PN10 and ASME B16.5 (class 150).  
Others available on request
- Manual (handwheel, chainwheel and bevel gear), pneumatic (single and double-acting), electric and hydraulic actuation options available
- For EU Directives and other Certificates, please see the document:  
Directives and Certificates Compliance - Knife Gate Valves - Catalogues and Datasheets

## Features:

- Split body stainless steel with special seal housing machined for a perfect adjustment of the body with the gate and the seal, resulting in low operation torque, optimum tightness and avoiding any build-up
- Full port design for greater flow capacity and minimal pressure drop
- Suitable for dead-end service to the full rating
- Stainless steel gate polished both sides to avoid jamming and seat damage
- Standard NBR seat
- New packing system. Wide range packing materials available
- Automated valves provided with gate guards in accordance with EU Safety Standards
- Actuation accessories: limit & proximity switches, mechanical stops, positioners, solenoid valves, manual overrides, locking devices, fail safe systems, stem extensions and floor stands

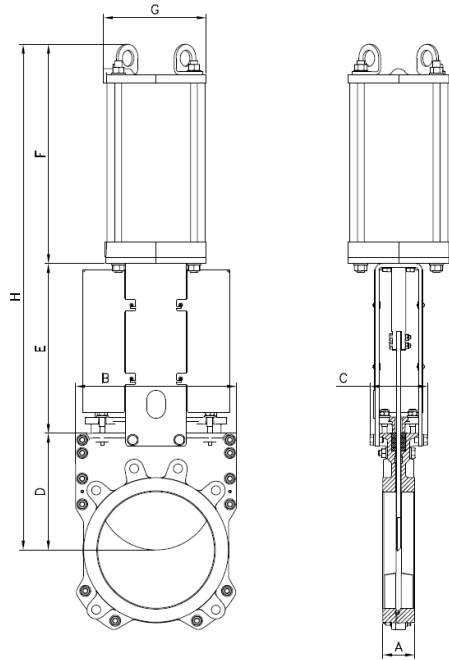
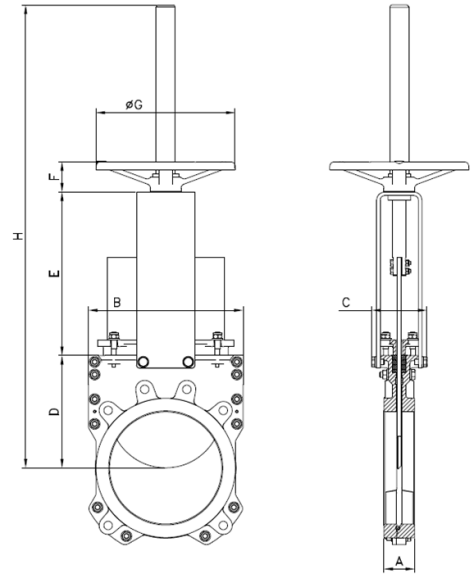


## STANDARD PARTS LIST

Part	Materials
1 Body	CF8M
2 Gate	AISI 316
3 Seat Round Cord	NBR
4 Body Round Cord	NBR
5 Packing	PTFE impreg. synth. Fibre
6 Packing Round Cord	NBR
7 Packing Resilient	NBR
8 Gland Follower	CF8M
9 Sliders	Glass filled PTFE
10 Stem	Stainless steel
11 Stem nut	Brass
12 Yoke	AISI 304
13 Handwheel	EN-GJS400
14 Friction washer	Brass
15 Nut	Zinc Plated Carbon Steel
16 Stem Protector	Carbon steel - Epoxy coated
17 Cap	Plastic

## DIMENSIONS (mm) Handwheel Rising Stem

DN	Pressure	A	B	C	D	E	F	H	ØG
80	10 bar	46	149	100	124	162	47	475	225
100	10 bar	52	169	100	140	187	47	520	225
150	10 bar	56	210	100	175	237	47	652	225
200	10 bar	60	284	119	205	309	67	822	310
250	10 bar	68	344	122	250	364	67	1022	310
300	10 bar	78	394	122	300	414	67	1122	410
350	10 bar	78	431	197	338	486	66	1323	410
400	10 bar	89	486	197	392	536	66	1427	410
450	10 bar	89	540	201	432	588	66	1594	550
500	10 bar	114	602	201	485	648	66	1707	550
600	10 bar	114	708	201	590	748	66	2022	550



## DIMENSIONS (mm) Pneumatic Actuator (D/A)

DN	Pressure	A	B	C	D	E	F	G	H	Standard Cyl	Connect
80	10 bar	46	149	100	124	162	211	115	505	C100/95	1/4"G
100	10 bar	52	169	100	140	187	231	115	560	C100/115	1/4"G
150	10 bar	56	210	100	175	237	296	140	708	C125/168	1/4"G
200	10 bar	60	284	119	205	309	358	175	872	C160/220	1/4"G
250	10 bar	68	344	122	250	364	428	220	1042	C200/270	3/8"G
300	10 bar	78	394	122	300	414	478	220	1192	C200/320	3/8"G
350	10 bar	78	431	197	338	500	549	277	1387	C250/375	3/8"G
400	10 bar	89	486	197	392	550	599	277	1541	C250/425	3/8"G
450	10 bar	89	540	270	432	598	680	382	1710	C300/475	1/2"G
500	10 bar	114	602	270	485	658	730	382	1873	C300/525	1/2"G
600	10 bar	114	708	270	590	758	830	382	2178	C300/625	1/2"G