

# MU PENSTOCK STANDARD RANGE

## 200 x 200 - 1200 x 1200



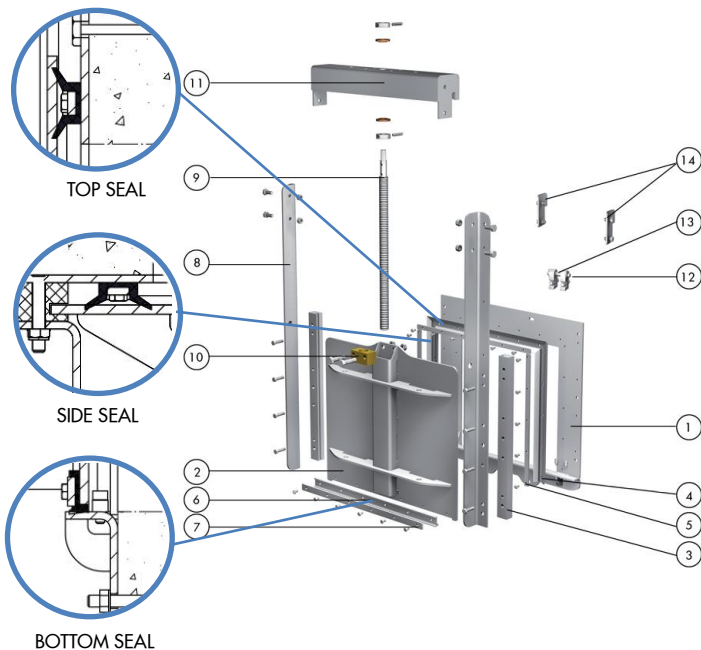
The MU model penstock is a four-side sealing wall-mounted penstock suitable for different type of applications in the water and waste water treatment plants, pumping stations, storm tanks, desalination plants, irrigation, dams and reservoirs, etc.

### Product description:

- Bi-directional as standard
- Size range of 200x200 up to 1200x1200
- Seating and unseating head pressure of 10 mwc up to 1000x1000 and of 6 mwc for remaining sizes up to 1200x1200
- Stainless steel fabricated construction. Different stainless steel grades available
- Rising & non-rising stem configurations available
- Manual (handwheel and bevel gear), pneumatic (single and double-acting), electric and hydraulic actuation options available
- Designed according to DIN 19569. Design as per AWWA C561 or BS 7775 also available

### Features:

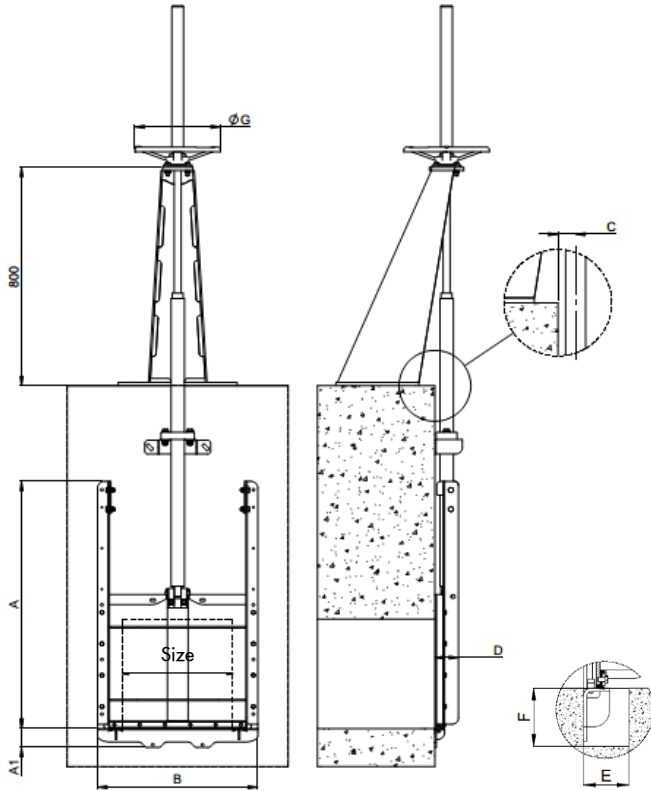
- Open frame (rising stem) and self-contained (non rising stem) configurations. Modular design with common basic structure and kits for rising and non rising stem configurations
- Self-cleaning HMWPE gate guides for low friction during operation, minimizing thrust and maximizing seal life
- Self-adjusting double-lip EPDM seal design, wedges are not required thus resulting in a lower torque requirement
- Yoke or pedestal mounted actuators. Inclined, straight and straight-on-bracket pedestals available
- Stem extensions for high operating floor levels, including the required stem guides
- Mounting options: standard wall mount, also thimble mount
- Flush bottom design which can be made both elevated and flush bottom installation
- Leakage rate as per DIN 19569-4 Class 5 (1,2 l/min per meter)



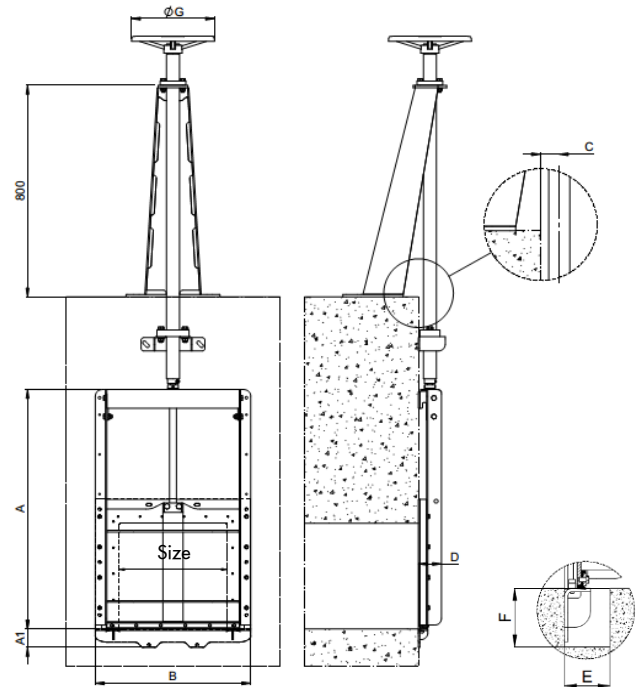
### STANDARD MATERIAL OF CONSTRUCTION

| ITEM | DESCRIPTION                    | MATERIAL (standard)                         |
|------|--------------------------------|---|
| 1    | Frame                          | AISI 304 / AISI 304L / AISI 316 / AISI 316L |
| 2    | Slide                          | AISI 304 / AISI 304L / AISI 316 / AISI 316L |
| 3    | Guides                         | Polyethylene (HMWPE)                        |
| 4    | Seal                           | EPDM  |
| 5    | Seal Retainer                  | AISI 304 / AISI 304L / AISI 316 / AISI 316L |
| 6    | Bottom Seal                    | EPDM  |
| 7    | Bottom Seal Retainer           | AISI 304 / AISI 304L / AISI 316 / AISI 316L |
| 8    | Frame Guide                    | AISI 304 / AISI 304L / AISI 316 / AISI 316L |
| 9    | NRS Kit - Stem                 | Stainless Steel                             |
| 10   | NRS Kit - Stem Nut             | Bronze                                      |
| 11   | NRS Kit - Yoke                 | AISI 304 / AISI 304L / AISI 316 / AISI 316L |
| 12   | RS Kit - Pin                   | AISI 304 / AISI 304L / AISI 316 / AISI 316L |
| 13   | RS Kit - Gate coupling bracket | AISI 304 / AISI 304L / AISI 316 / AISI 316L |
| 14   | RS Kit - End stop              | AISI 304 / AISI 304L / AISI 316 / AISI 316L |

### RISING STEM



### NON RISING STEM



| SIZE (mm) Opening | A    | B    | A1 | C    | D     | ØG  | E x F   |
|-------------------|------|------|----|------|-------|-----|---------|
| 200 x 200         | 504  | 380  | 70 | 40,5 | 81    | 225 | 70 x 75 |
| 300 x 300         | 704  | 480  | 70 | 40,5 | 81    | 225 | 70 x 75 |
| 400 x 400         | 905  | 580  | 70 | 43   | 86    | 310 | 70 x 75 |
| 500 x 500         | 1105 | 680  | 70 | 43   | 86    | 310 | 70 x 75 |
| 600 x 600         | 1307 | 780  | 70 | 43   | 115,5 | 310 | 70 x 75 |
| 700 x 700         | 1510 | 880  | 70 | 43   | 115,5 | 310 | 70 x 75 |
| 800 x 800         | 1710 | 980  | 70 | 43   | 125,5 | 350 | 70 x 75 |
| 900 x 900         | 1985 | 1100 | 82 | 56   | 135,5 | 350 | 70 x 85 |
| 1000 x 1000       | 2185 | 1200 | 82 | 56   | 135,5 | 350 | 70 x 85 |
| 1100 x 1100       | 2385 | 1300 | 82 | 56   | 135,5 | 350 | 70 x 85 |
| 1200 x 1200       | 2585 | 1400 | 82 | 56   | 135,5 | 350 | 70 x 85 |

**NOTE:**

These dimensions are only for reference. Do not use for installation or submittal purposes.  
For dimensions other than above, please contact an ORBINOX representative